

# L CONNECTOR RIGHT

## 3-CIRCUIT TRACK SYSTEM



### COLOURS



### OPTIONS

Dimmable



**Product code Black (RAL 9011)**  
**EAN Code Black**

PRO-0435R-B  
8719747930441

**Product code White (RAL 9010)**  
**EAN code White**

PRO-0435R-W  
8719747930427

**Product code Grey (RAL7040)**  
**EAN code Grey**

PRO-0435R-S  
8719747930434

**Main materials**

PC UL94V0 + Copper + Steel

**Net weight per piece**

112 grams

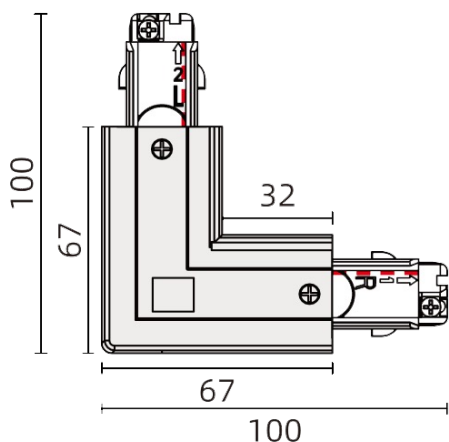
**Inner box / outer box**

18 / 108 pcs

**Rated voltage per circuit**

230V / 16A

## DIMENSIONS



RED LINE INDICATES POLARITY RIDGE

