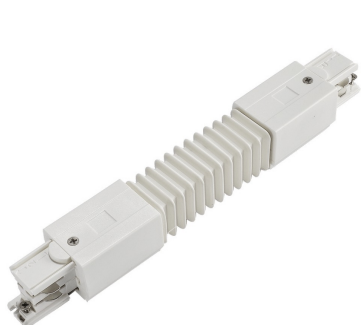


# FLEXIBLE CONNECTOR

## 3-CIRCUIT TRACK SYSTEM



### COLOURS



### OPTIONS

Dimmable



Product code Black (RAL 9011)  
EAN Code Black

PRO-0439-B  
8719747930625

Product code White (RAL 9010)  
EAN code White

PRO-0439-W  
8719747930601

Product code Grey (RAL7040)  
EAN code Grey

PRO-0439-S  
8719747930618

Main materials

PC UL94V0 + Copper +  
Steel

Net weight per piece

160 grams

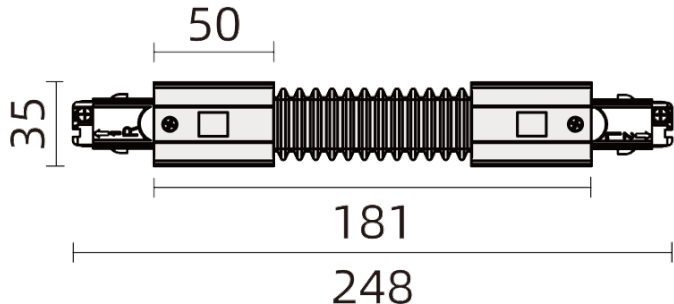
Inner box / outer box

14 / 70 pcs

Rated voltage per circuit

230V / 16A

## DIMENSIONS



RoHS

