

# CLASSIC 3-CIRCUIT ADAPTER

## ADAPTERS & ULTIMATE ADAPTERS



### COLOURS



### OPTIONS

Dimmable



Product code Black (RAL 9011)  
EAN Code Black

PRO-0440-B  
8719747932360

Product code White (RAL 9010)  
EAN code White

PRO-0440-W  
8719747932346

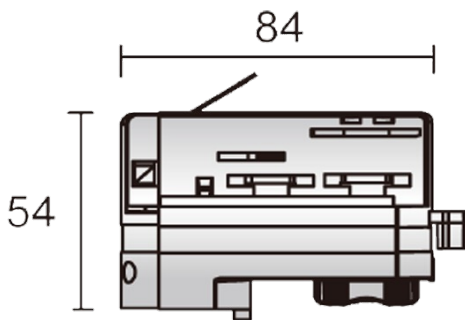
Product code Grey (RAL7040)  
EAN code Grey

PRO-0440-S  
8719747932353

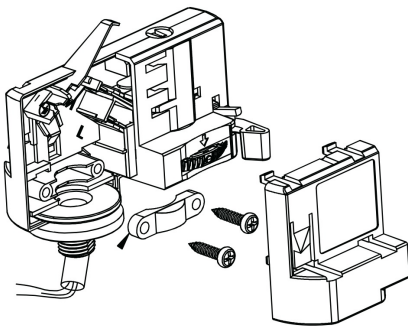
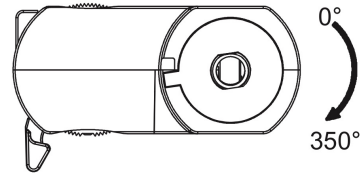
Main materials  
Net weight per piece  
Inner box / outer box  
Rated voltage per circuit  
Max pull strength

PC UL94V0 + Copper  
81 grams  
1 / 150 pcs  
230V / 10A  
100N

### DIMENSIONS



### ROTATION ANGLE



INCLUDING STRAIN RELIEF AND SCREWSET, EXCLUDING NIPPLE

