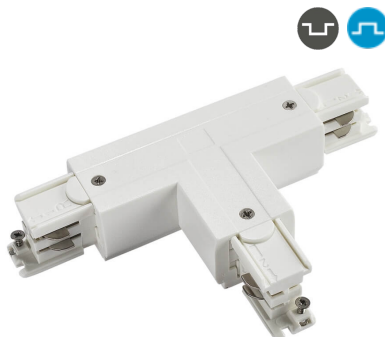


T CONNECTOR LEFT 2

1-CIRCUIT DALI TRACK SYSTEM



COLOURS



OPTIONS

Dimmable



Product code Black (RAL 9011)
EAN Code Black

PRO-D436L2-B
8719747932148

Product code White (RAL 9010)
EAN code White

PRO-D436L2-W
8719747932124

Product code Grey (RAL7040)
EAN code Grey

PRO-D436L2-S
8719747932131

Main materials

PC UL94V0 + Copper +
Steel

Net weight per piece

172 grams

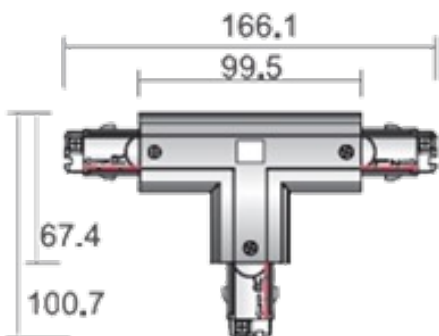
Inner box / outer box

12 / 72 pcs

Rated voltage per circuit

230V / 16A

DIMENSIONS



RED LINE INDICATES POLARITY RIDGE



RoHS

