

L CONNECTOR LEFT

3-CIRCUIT DALI TRACK SYSTEM



COLOURS



Product code Black (RAL 9011)
EAN Code Black

PRO-D635L-B
8719747931516

Product code White (RAL 9010)
EAN code White

PRO-D635L-W
8719747931493

Product code Grey (RAL7040)
EAN code Grey

PRO-D635L-S
8719747931509

OPTIONS

Dimmable



Main materials

PC UL94V0 + Copper + Steel

Net weight per piece

125 grams

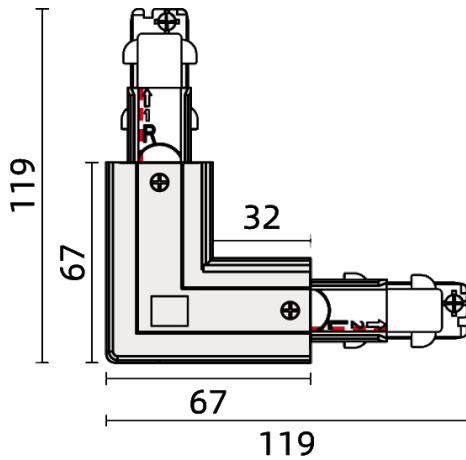
Inner box / outer box

12 / 60 pcs

Rated voltage per circuit

230V / 16A

DIMENSIONS



RED LINE INDICATES POLARITY RIDGE



RoHS

