

L CONNECTOR RIGHT

3-CIRCUIT DALI TRACK SYSTEM



COLOURS



Product code Black (RAL 9011)
EAN Code Black

PRO-D635R-B
8719747931547

Product code White (RAL 9010)
EAN code White

PRO-D635R-W
8719747931523

Product code Grey (RAL7040)
EAN code Grey

PRO-D635R-S
8719747931530

OPTIONS

Dimmable



Main materials

PC UL94V0 + Copper + Steel

Net weight per piece

125 grams

Inner box / outer box

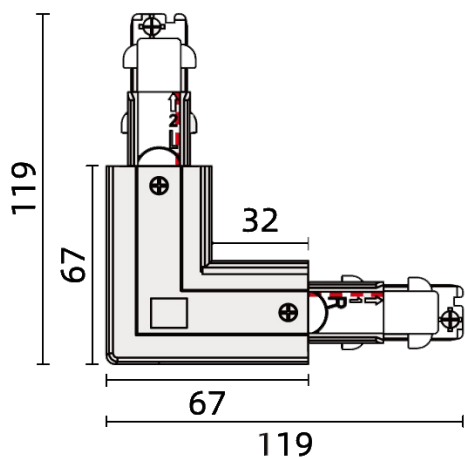
12 / 60 pcs

Rated voltage per circuit

230V / 16A



DIMENSIONS



RED LINE INDICATES POLARITY RIDGE



RoHS

