

# TWISTED T CONNECTOR LEFT

## 3-CIRCUIT TRACK SYSTEM



### COLOURS



### OPTIONS

Dimmable



Product code Black (RAL 9011)  
EAN Code Black

PRO-M436L-B  
8719747930717

Product code White (RAL 9010)  
EAN code White

PRO-M436L-W  
8719747930694

Product code Grey (RAL7040)  
EAN code Grey

PRO-M436L-S  
8719747930700

Main materials

PC UL94V0 + Copper +  
Steel

Net weight per piece

185 grams

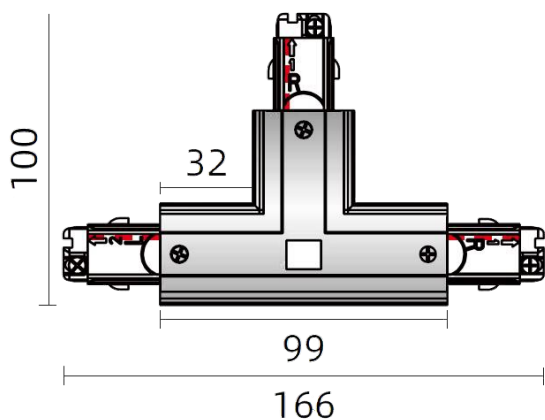
Inner box / outer box

12 / 72 pcs

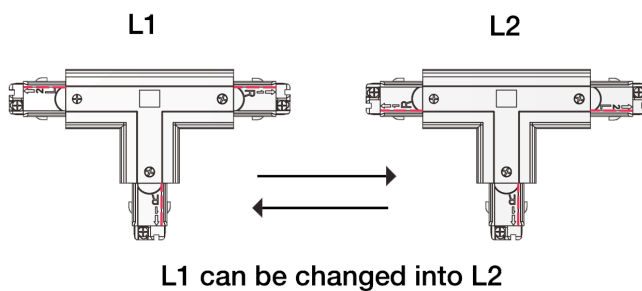
Rated voltage per circuit

230V / 16A

### DIMENSIONS



### ADJUSTABLE ANGLE



RED LINE INDICATES POLARITY RIDGE

