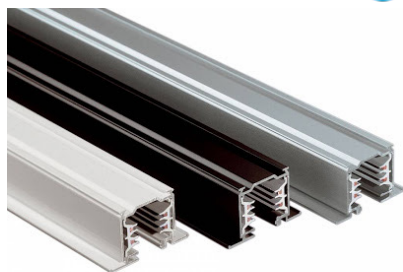


# 3M 3-CIRCUIT RECESSED TRACK

## 3-CIRCUIT TRACK SYSTEM



### COLOURS



**Product code Black (RAL 9011)**  
**EAN Code Black**

**PRO-R430-B**  
**8719747931097**

**Product code White (RAL 9010)**  
**EAN code White**

**PRO-R430-W**  
**8719747931073**

**Product code Grey (RAL7040)**  
**EAN code Grey**

**PRO-R430-S**  
**8719747931080**

### OPTIONS

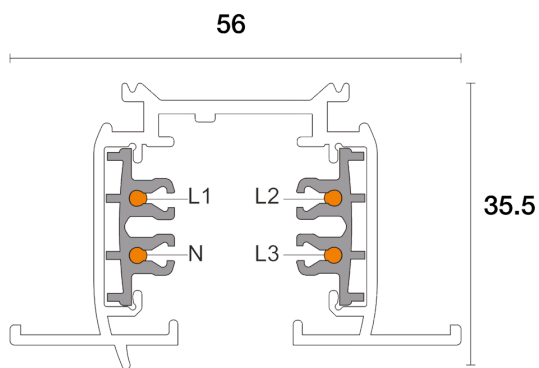
Dimmable Dimmable



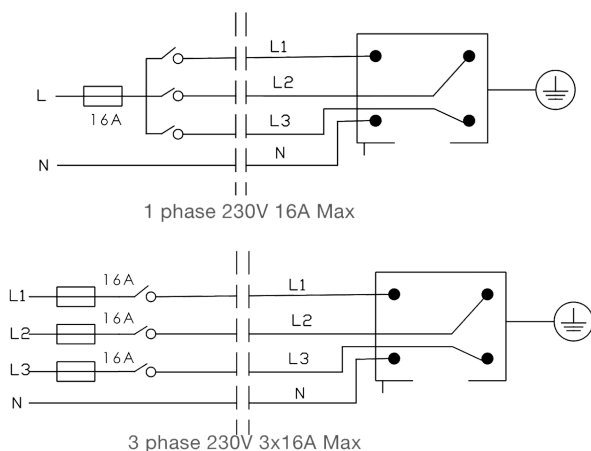
**Main materials**  
**Net weight per piece**  
**Inner box / outer box**  
**Rated voltage per circuit**

**Copper + Aluminum**  
**2760 grams**  
**1 / 4 pcs**  
**230V / 16A**

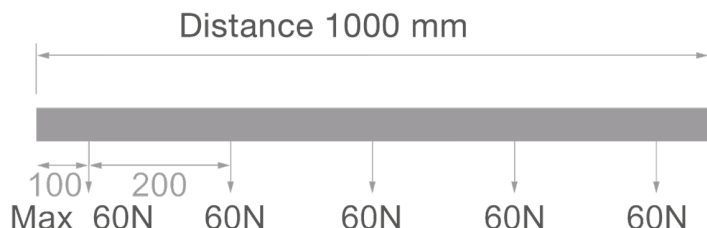
## DIMENSIONS



## CONNECTING DIAGRAM



## MECHANICAL LOAD DIAGRAM



RoHS

