

1M RECESSED TRACK

48V LOW VOLTAGE TRACK SYSTEM



COLOURS



OPTIONS

Dimmable



Product code Black (RAL 9011)
EAN Code Black

PRO-RN110-B
8719747934586

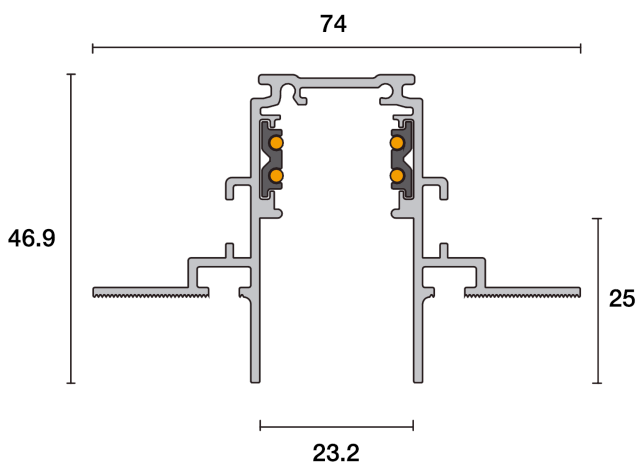
Product code White (RAL 9010)
EAN code White

PRO-RN110-W
8719747934791

Main materials
Net weight per piece
Inner box / outer box
Rated voltage per circuit

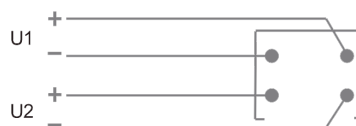
Copper + Aluminum
1048 grams
1 / 4 pcs
48V / 16A

DIMENSIONS



CONNECTING DIAGRAM

Low Voltage 2 Circuits



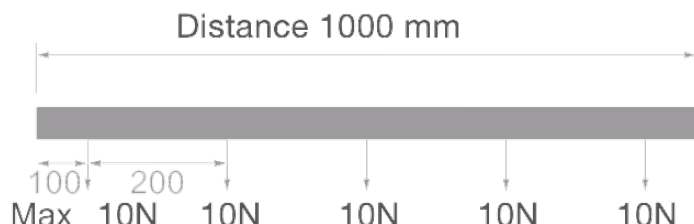
48V 2*15A Max.

Low Voltage Single Circuit DALI



48V 15A Max.

MECHANICAL LOAD DIAGRAM



RoHS

